


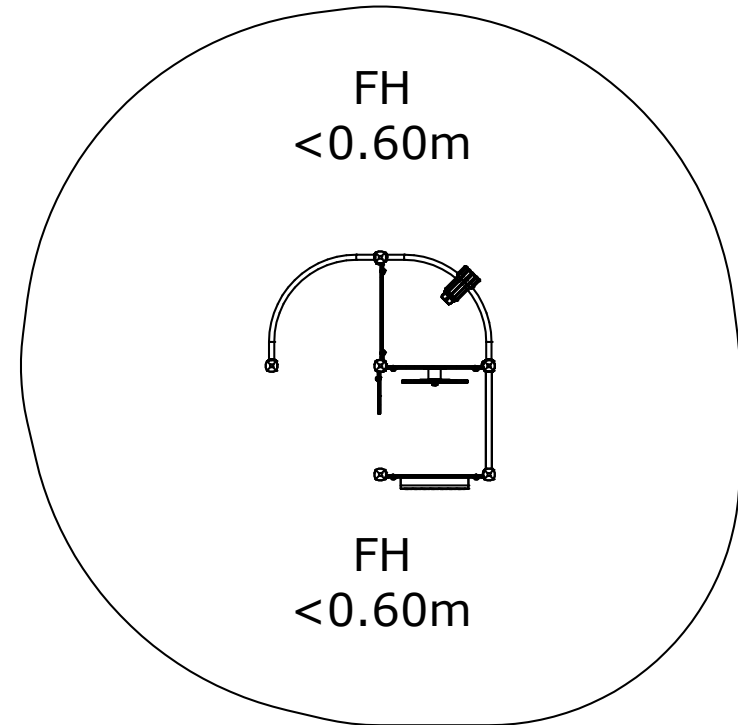
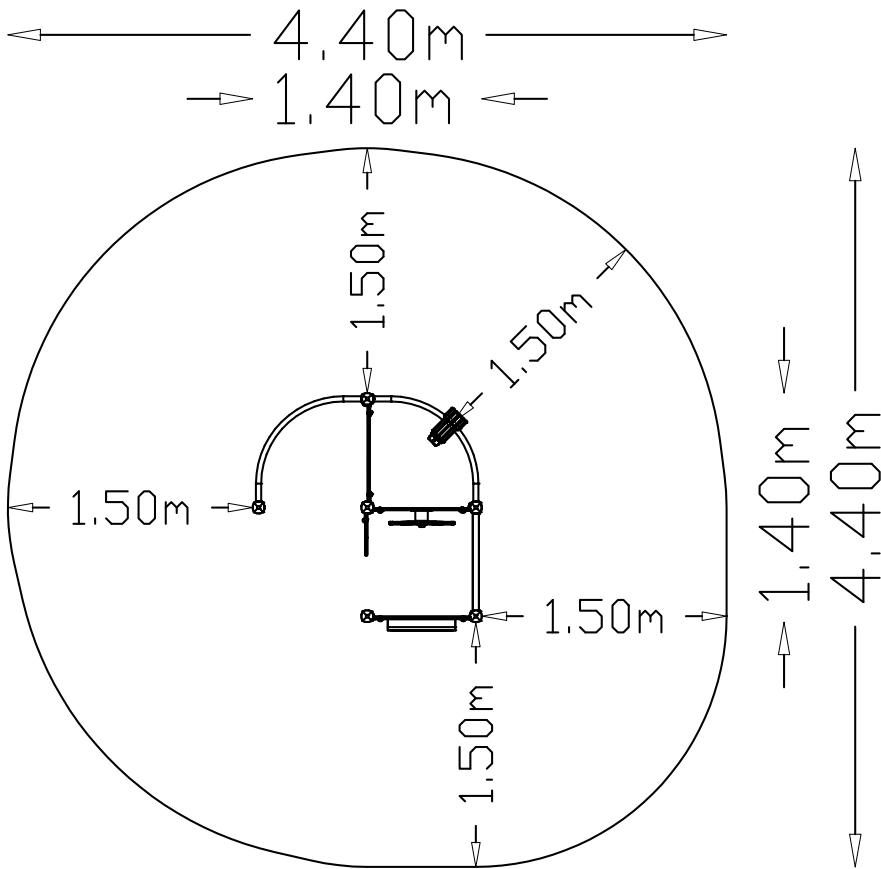
S6

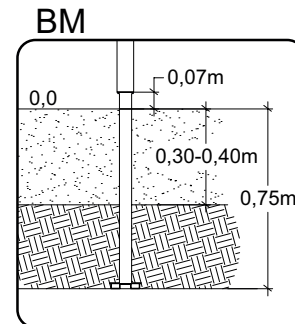
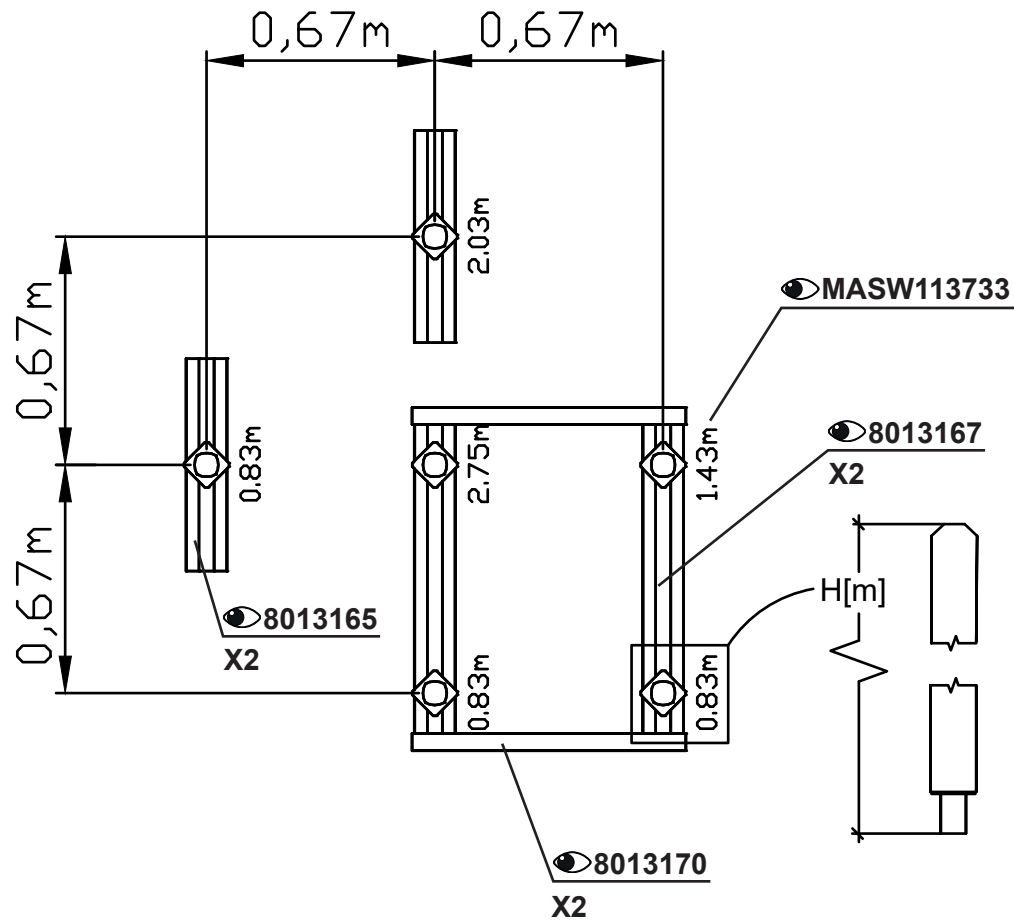
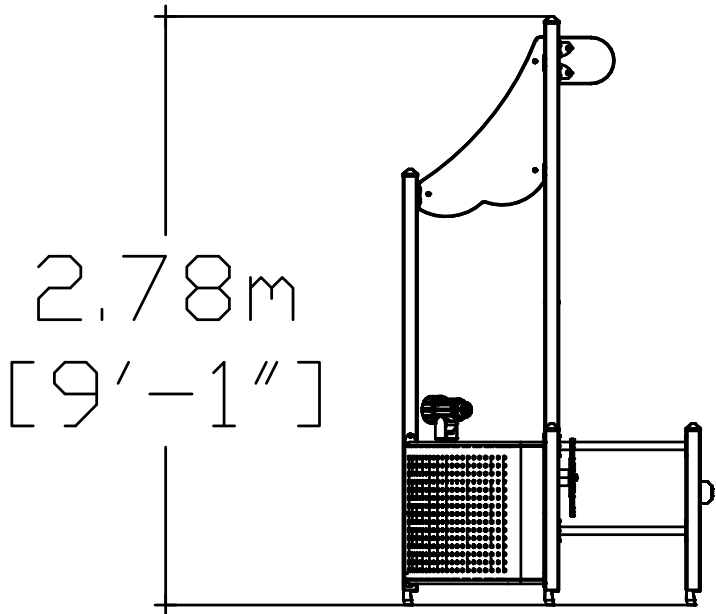
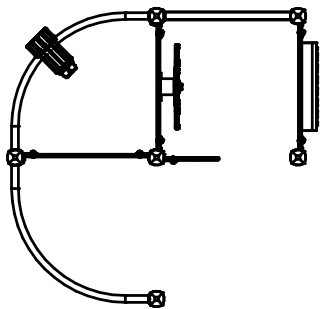


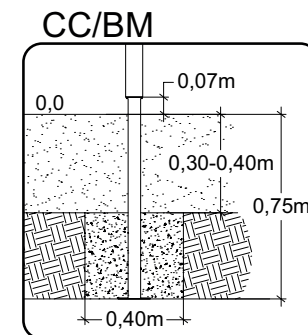
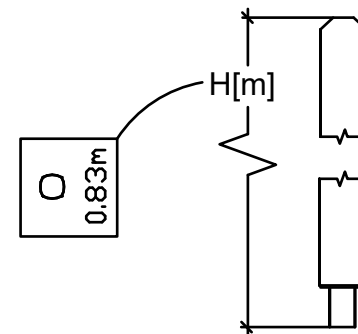
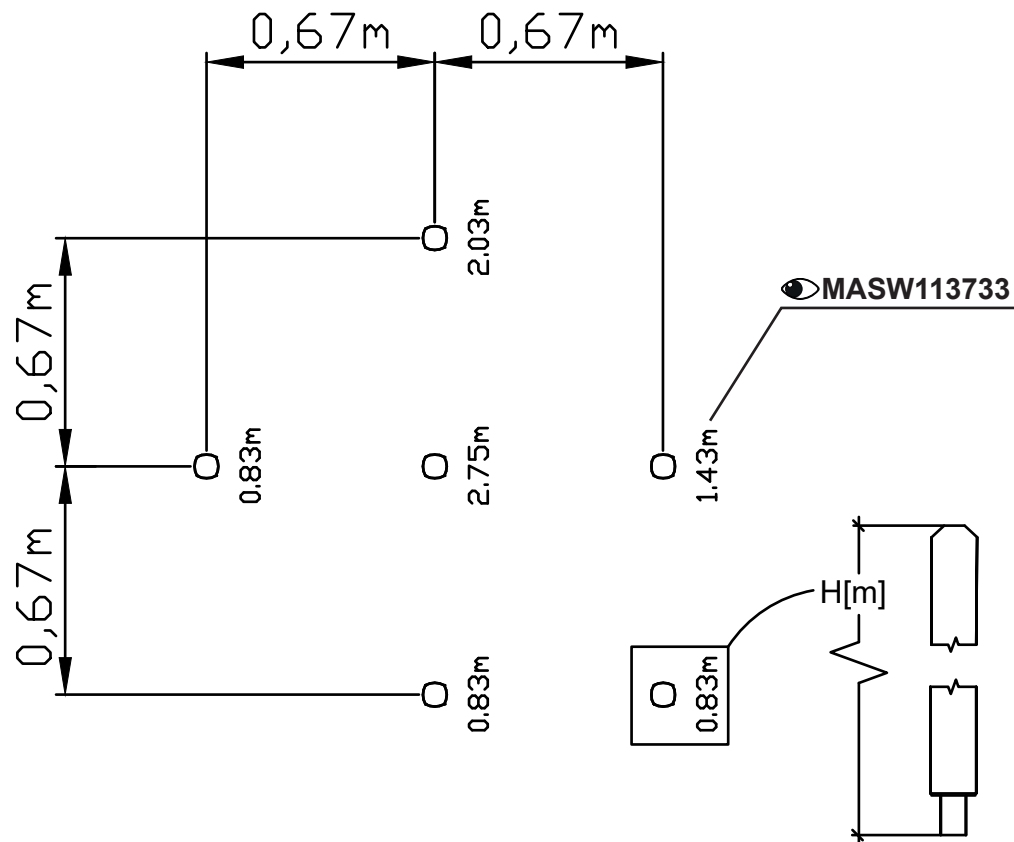
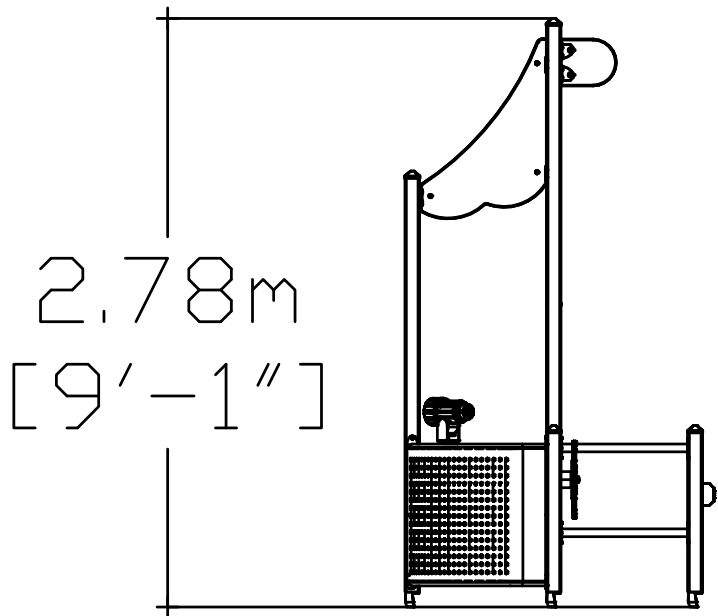
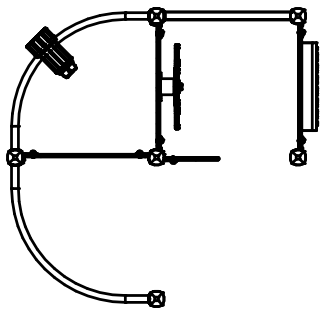
EN1176

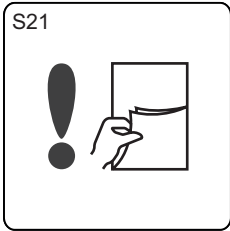
0.45m

EN1176

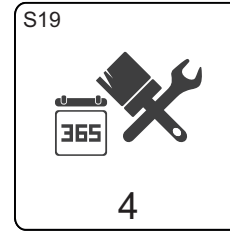
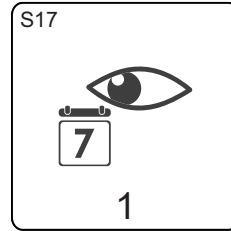
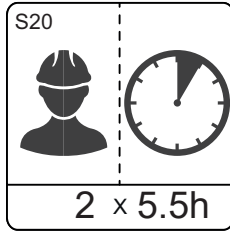




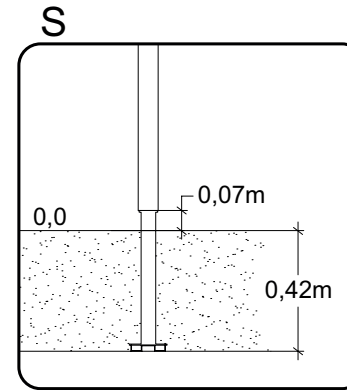




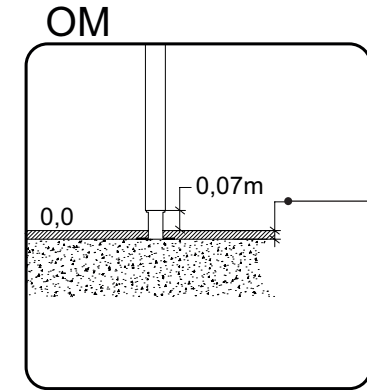
Install 101
6099
6942
260329
693812
620997
620998
638113
6213 01
MASW113733
MASW35156
MAUSW118745



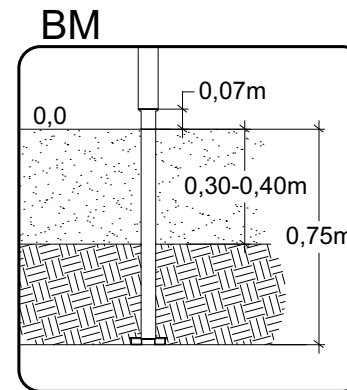
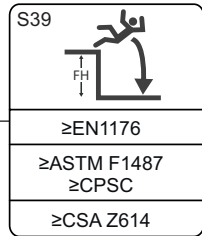
MASW113733



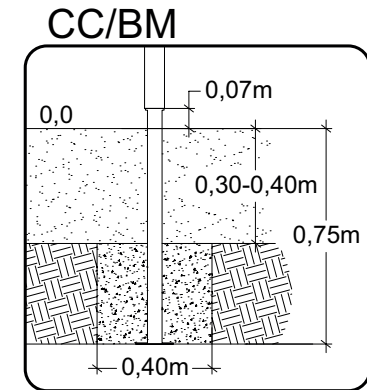
S
Sunken Foundation



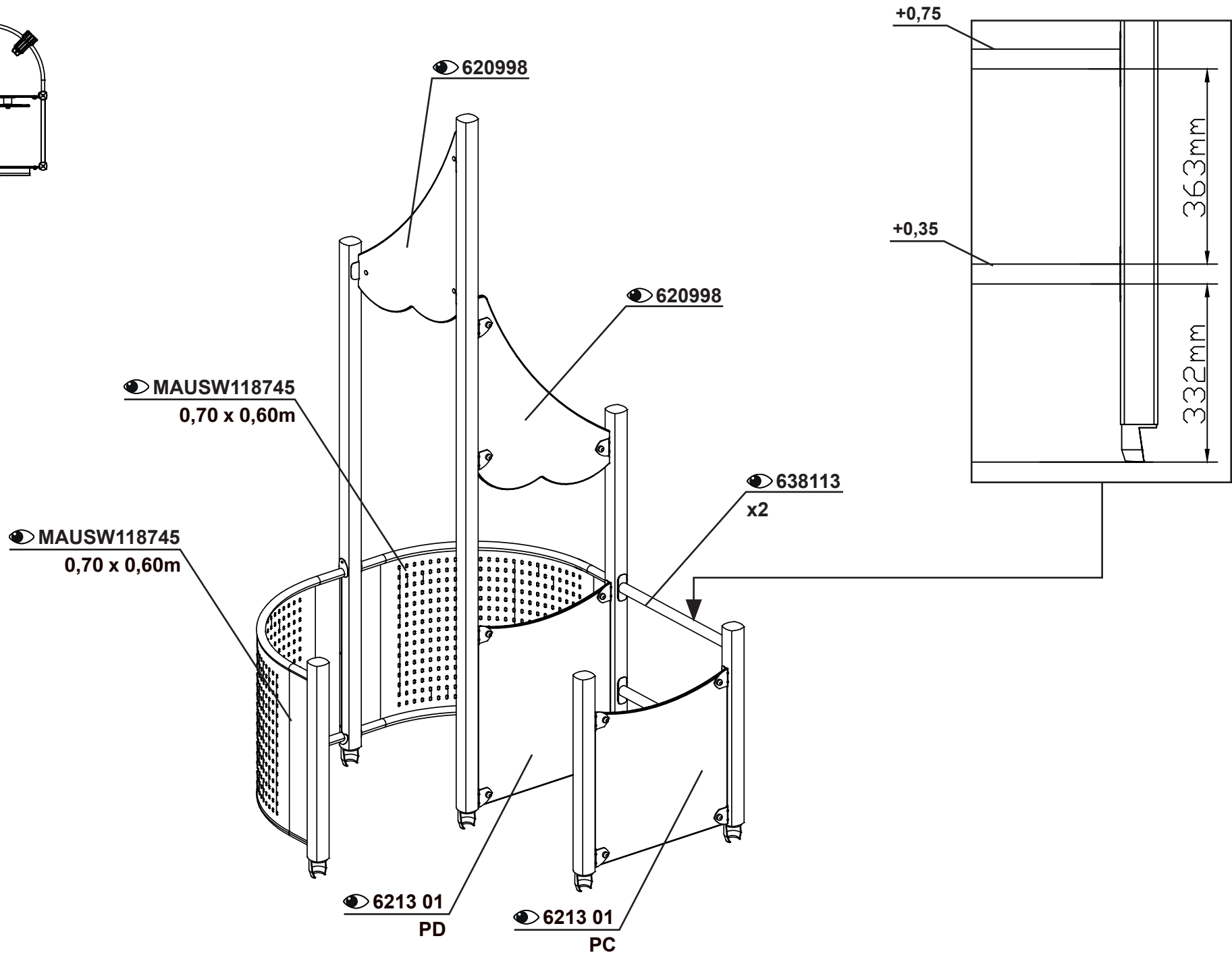
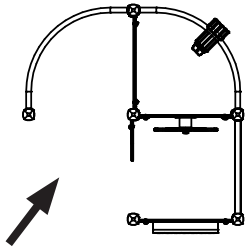
OM
Above Ground

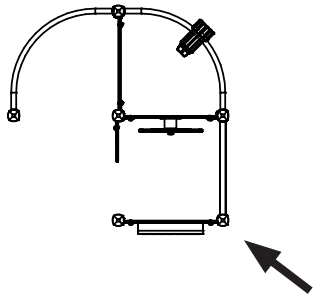


BM
Loosefill
 8111710



CC/BM
Cast Loosefill
 8111710





620997

6099

x6

693812

6942

HAGS
260329

MASW35156